

General description

This module has been designed for the programming of CRF and DAF encoders via a PC, by converting the RS 485 level to RS 232. A Zero-modem cable which is supplied with each module, connects the device to the serial input of the PC. To connect the encoder, a cable with an appropriate counter plug can be supplied upon request (refer to order code). Constructional and connecting details are shown below.

Note: The PF-K9UM00 module replaces the absolute PF-M1UM01, PF-K9S01 and PF-VK items. It can also be used to program the PAS 96 indicator via the ProPas 96 software.

Structure

EN standard busbar carrier with snap-on base - printed circuit board with 2 COMBICON screw clamps for connecting the programming leads (Pr+/Pr-) and for connecting the operating voltage - LED for operation display - 9-pin sub-D connector for connecting the zero modem cable.

Technical Data

- Supply voltage U_B : +24 VDC \pm 10%
- Current: \leq 150 mA (depending on communication)
- Temperature range: 0°C to +50°C
- Mounting: EN-case for snap on (PHOENIX CONTACT)
- Contacts: 2,5 mm²
- Zero-modem cable: PF-NM01
2 m long (included in delivery)
- Connecting cable: 0,5 m long (refer to order code)

Order code format

PF-K9UM00: Basic model w/o connecting cable.

Order code (with cable)	Connector	Number of contacts	Cable assembly			
			twisted pair brown $+V_s$	twisted pair white $-V_s$	twisted pair green PR	twisted pair yellow \overline{PR}
PF-K9UM01	BI 423	12	L	M	F	E
PF-K9UM02	RS 25	12	11	12	6	5
PF-K9UM03	DC 37	37	36	37	26	25
PF-K9UM04	HAN 40	40	D9	D10	C6	C5
PF-K9UM05	DC 37*	37	36	37	26	25

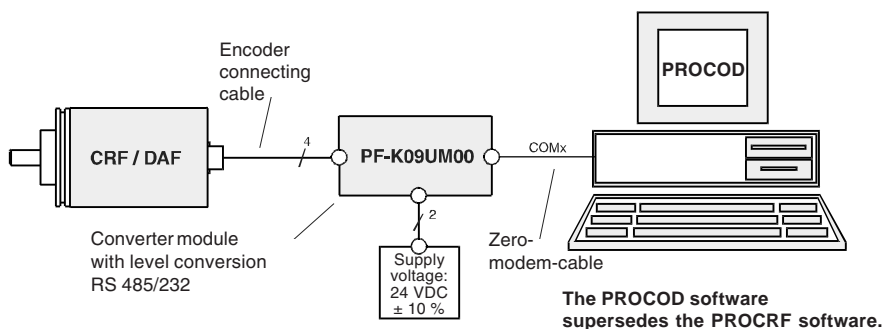
* with adapter to angle encoder and angle transducer with \varnothing 105 mm

Contact configuration

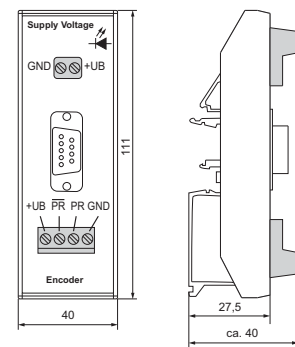
- COMBICON: + U_B = + 24 VDC \pm 10%
 (2 pins) GND = 0 VDC
- COMBICON: + U_B } Supply voltage for encoder
 (4 pins) GND } (if required)
- PR } Programming wire
 \overline{PR} } Differential-Data driver according to RS 485/422

To connect the programming wires PR and \overline{PR} a twisted-pair cable is to be used.

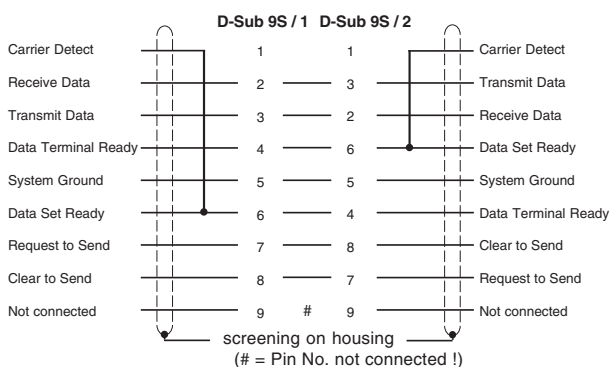
Block diagram



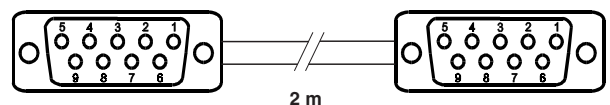
Dimensions in mm



Zero-modem cable PF-NM01



Socket contact configuration (mating side)



Attention: The supply voltages for CRF/DAF, for the converter module and for the encoder connecting cable must not be electrically separated (common ground for signals)!