

**Steckerbelegung / Connector arrangement**

**Winkelcodierer / Absolute Encoder CRD 65-4096 G 4096 C2 Z35**

15.09.2017

Zugehöriges Datenblatt / Related Data Sheet : CRD 10534

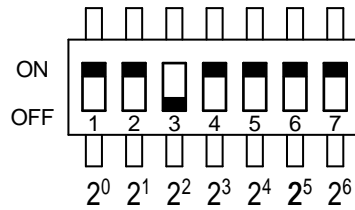
- |                                                                                                                                                                                                                                                                                                                                                                                                                                                                                                                                                                                                                                                                                                                                                                |                                                                                                                                                                                                                                                                                                                                                                                                                                                                                                                                                                                                                                                                                                                                                |
|----------------------------------------------------------------------------------------------------------------------------------------------------------------------------------------------------------------------------------------------------------------------------------------------------------------------------------------------------------------------------------------------------------------------------------------------------------------------------------------------------------------------------------------------------------------------------------------------------------------------------------------------------------------------------------------------------------------------------------------------------------------|------------------------------------------------------------------------------------------------------------------------------------------------------------------------------------------------------------------------------------------------------------------------------------------------------------------------------------------------------------------------------------------------------------------------------------------------------------------------------------------------------------------------------------------------------------------------------------------------------------------------------------------------------------------------------------------------------------------------------------------------|
| <ul style="list-style-type: none"> <li>■ Ausgabecode: Gray</li> <li>■ Auflösung: 4096 Schritte je 360°</li> <li>■ Meßbereich: 4096 Umdrehungen</li> <li>■ Gegenstecker 1: Lumberg Rundsteckverbinder, Typ: RKC 4/3 Kontaktanzahl: 3 (Buchse)</li> <li>■ Gegenstecker 2: D-Sub (Adresseinstellung über DIP-Schalter) Kontaktanzahl: 9 (Buchse), Befestigungsschrauben UNC 4/40</li> <li>■ Gegenstecker 3: D-Sub, SIEMENS PROFIBUS Busanschlußstecker Kontaktanzahl: 9 (Stift), Befestigungsschrauben UNC 4/40</li> <li>■ Arbeitstemperaturbereich: -20°C ... +60°C</li> <li>■ GSD-Datei, Bitmap und Beispielprogramme zum Download im Internet unter <a href="http://www.twk.de">www.twk.de</a>, Bereich Dokumentation, Modell CRD oder auf Anfrage.</li> </ul> | <ul style="list-style-type: none"> <li>■ Output code: Gray</li> <li>■ Resolution: 4096 positions per 360°</li> <li>■ Measurement range: 4096 turns</li> <li>■ Counter plug 1: Lumberg round connector , Type: RKC 4/3 Number of contacts: 3 (socket)</li> <li>■ Counter plug 2: D-Sub (address setting via DIP-switch) Number of contacts: 9 (socket), fixing screw UNC 4/40</li> <li>■ Counter plug 3: D-Sub, SIEMENS PROFIBUS Bus Connector Number of contacts: 9 (pin), fixing screw UNC 4/40</li> <li>■ Operating temperature range: -20°C ... +60°C</li> <li>■ GSD-file, bitmap and sample programs for download on the Internet at <a href="http://www.twk.de">www.twk.de</a>, section documentation, type CRD or on request.</li> </ul> |
|----------------------------------------------------------------------------------------------------------------------------------------------------------------------------------------------------------------------------------------------------------------------------------------------------------------------------------------------------------------------------------------------------------------------------------------------------------------------------------------------------------------------------------------------------------------------------------------------------------------------------------------------------------------------------------------------------------------------------------------------------------------|------------------------------------------------------------------------------------------------------------------------------------------------------------------------------------------------------------------------------------------------------------------------------------------------------------------------------------------------------------------------------------------------------------------------------------------------------------------------------------------------------------------------------------------------------------------------------------------------------------------------------------------------------------------------------------------------------------------------------------------------|

Kontakt-Nr Pin No	Rundsteckverbinder (Stecker 1, Stift) Belegt mit ...	Round connector (connector 1, pin) Connected to ...
1	+ U <sub>B</sub> = 13,5 ... 30 Volt / P <sub>V</sub> = 3,5W Einschaltstrom < 320mA	+ V <sub>S</sub> = 13,5 ... 30 VDC / P <sub>D</sub> = 3,5W Inrush current < 320mA
3	- U <sub>B</sub> = 0 Volt	- V <sub>S</sub> = 0 VDC
4	Gehäuse	Housing

Kontakt-Nr Pin No	D-Sub Stecker (Stecker 2, Stift) Belegt mit ...	D-Sub connector (connector 2, pin) Connected to ...
1	nicht angeschlossen	not connected
2	DIP-Schalter S7	DIP-switch S7
3	DIP-Schalter S6	DIP-switch S6
4	DIP-Schalter S4	DIP-switch S4
5	DIP-Schalter S5	DIP-switch S5
6	GND	GND
7	DIP-Schalter S3	DIP-switch S3
8	DIP-Schalter S2	DIP-switch S2
9	DIP-Schalter S1	DIP-switch S1

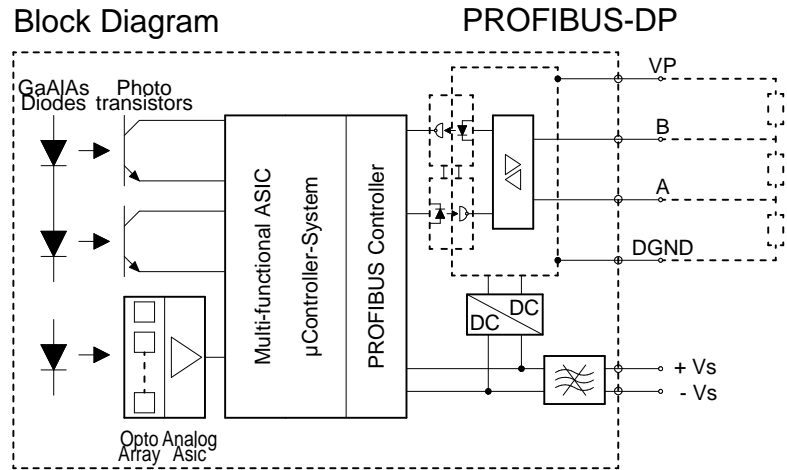
Kontakt-Nr Pin No	D-Sub Stecker (Stecker 3, Buchse) Belegt mit ...	D-Sub connector (connector 3,socket) Connected to ...
1	Gehäuse	Housing
2	nicht angeschlossen	not connected
3	RXD/TXD-P (B) (Empfang/Sende-Daten-P)	RXD/TXD-P (B) (Receive/Transmit-Data-P)
4	nicht angeschlossen	not connected
5	DGND (Daten-GND, Masse zu VP)	DGND (Data GND, ground to VP)
6	VP = 5 Volt	VP = 5 VDC
7	nicht angeschlossen	not connected
8	RXD/TXD-N (A) (Empfang/Sende-Daten-N)	RXD/TXD-N (A) (Receive/Transmit-Data-N)
9	nicht angeschlossen	not connected
	Zusätzliche Informationen siehe Rückseite	Additional informations p.t.o.

Adresseinstellung DIP-Schalter (Gegenstecker 2)  
 Address setting DIP-switch (counter plug 2)



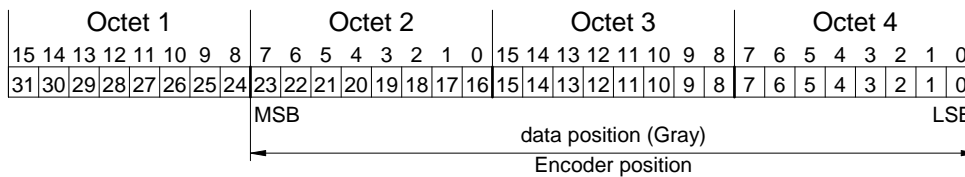
PROFIBUS-DP Interface

- Driver refers to DIN 19245, part 1



Encoder profile PNO V1.1: - Encoder identification number: 1962  
 - Data exchange format  
 - Configuration data: F1 hex

DATA IN



DATA OUT

