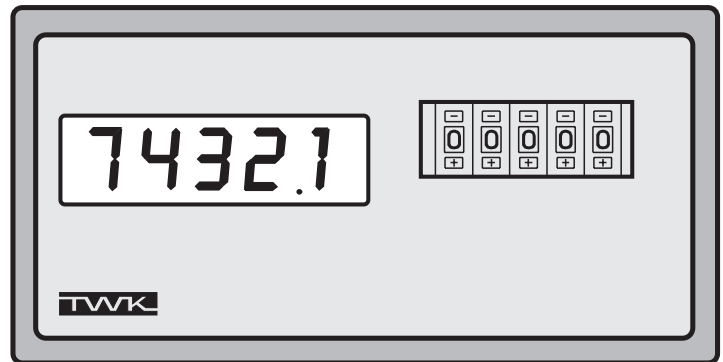


- Display range: 5, 4 or 3 decades
- Reference value selection: 5 decades
- With power supply for the shaft encoder / displacement transducer connected
- With parallel BCD output for multiple displays or for passing on signals
- Standard housing 144 x 72 mm



### Construction and function

Both rotary or rectilinear transducers (shaft encoders or displacement transducers), which output their data in BCD code, can be connected to the WAV 100 position indicator. In addition to the display, each device has a reference value adjuster, a parallel BCD output for the position data, a relay output from the reference-actual comparator, a switch for reversing the code direction and a power supply for the rotary or rectilinear transducer connected.

A number of position indicators can be connected together in series whereby different reference values can be set with the aid of the decade switches.

### Electrical data

- Display: 5, 4 or 3 decades (7-segment, 14 mm high) (position of decimal point to be stated when ordering)
- Reference value adjuster: 5 decades
- Supply voltage: 230 V  $\pm$  10 %, 50 Hz or 115 V, 50/60 Hz
- Power consumption: 15 VA
- Outputs:
  - Power supply for rotary/rectilinear transducer: 18 V DC (unstabalized) 500 mA max.
  - Position signal from transducer: BCD code ULN 2804 open collector  $U_{max} = 50 V, I_{max} = 0.5 A$  positive logic
  - Reference value (relay W11): Switching voltage:  $U_{max} = 125 V, I_{max} = 1 A$  3 changeover switches: actual = reference actual < reference actual > reference

The following TWK shaft encoders and displacement transducers can be connected to the WAV position indicator:

- Shaft encoder, model CRF (data sheet 10266)\*
- Shaft encoder, model CRP (data sheet 10113)\*
- Shaft encoder, model CK (only for retrofitting)
- Shaft encoder, model CR (only for retrofitting)
- Displacement transducer, model LC (data sheet LC 10172)

\* These models can be programmed in our works to display an angular position with a resolution of 1° or 0.1°  $\ddot{z}$ .

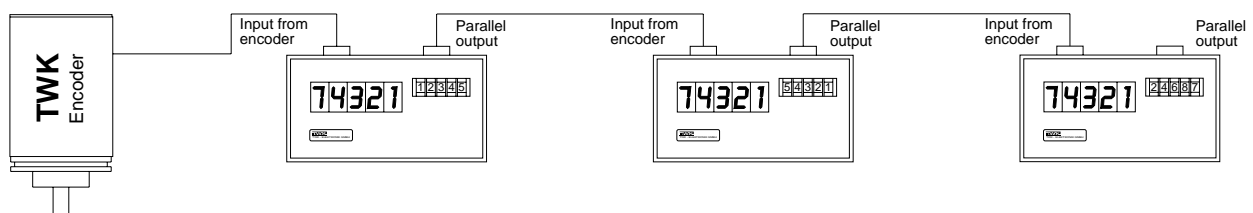
### Mechanical data and connections

- Dimensions: 144 x 72 x 160 (W x H x D)
- Panel cut-out for inseting: 138 mm x 68 mm
- Mass: 1.4 kg
- Power supply cable: 2 m with plug
- Electrical connections: 3 x DB 25 connectors (the mating plugs form part of the scope of delivery)
- Securing of the housing: screw clamps
- Material of housing: NORYL

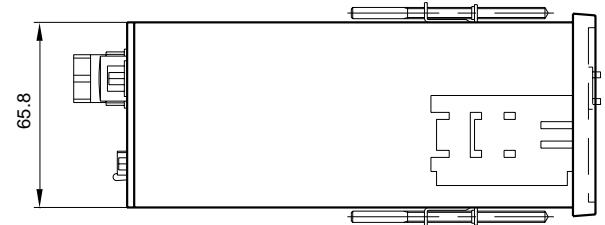
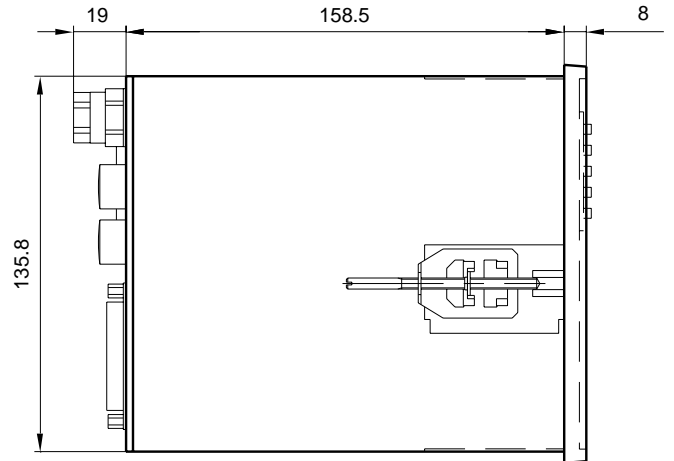
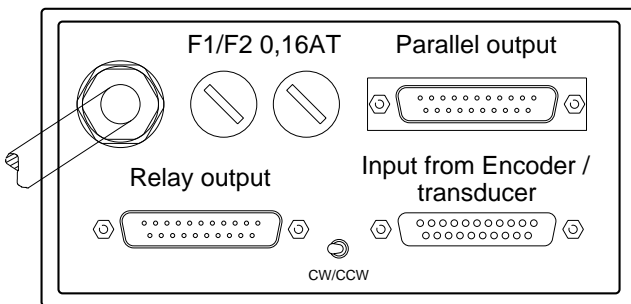
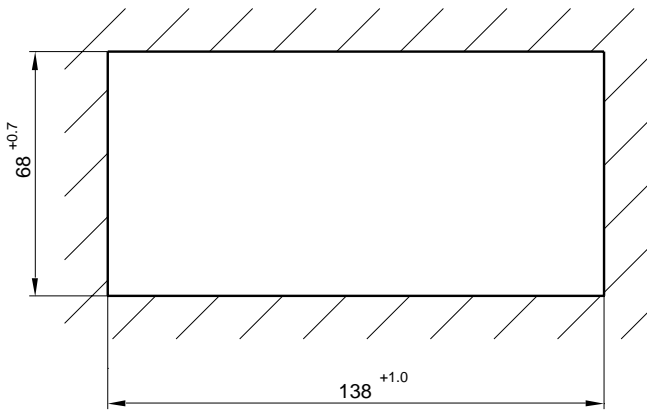
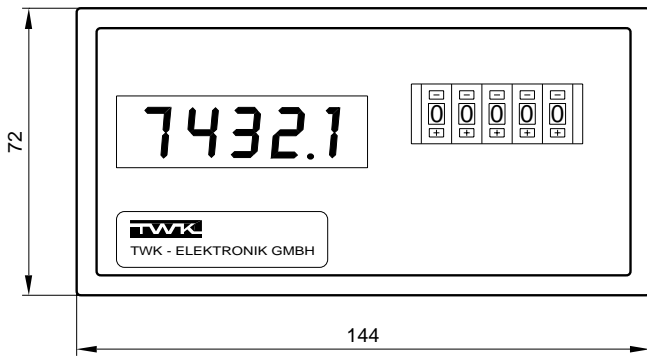
### Environmental data

- Working temperature range: 0 °C to + 50 °C (no condensation)
- Storage temperature range: - 20 °C to + 85 °C
- Protection grade: IP 40

### Connecting of several units together in series



**Dimensions in mm**



**Order code format**

