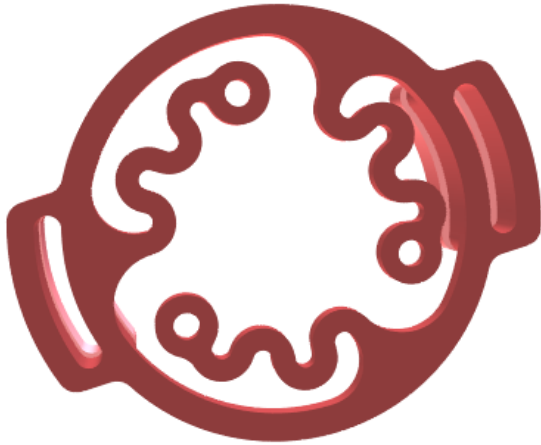


Stator coupling / torque support Model series ZMS58

Document No.: ZMS 12939 EE

Date: 16.01.2017



- Stator coupling / torque support for coupling a rotary encoder with blind hole (single-sided hollow shaft) to the drive shaft
- The stator coupling consists of permanently elastic plastic and offers high vibration and shock resistance
- The design of the fret-like spring elements enables high torsional strength and torsional rigidity
- Compensation of the installation-related axial and radial shaft offset between the rotary encoder and drive shaft
- Can be retrofitted, as standard dimensions in the area of the 58 rotary encoder design form the basis
- Operating temperature range: - 40 °C to + 85 °C

3D view

Design

The basic body, which is cut from permanently elastic plastic in one milling operation, contains three fret-like spring elements which guarantee the stator coupling's torsional strength and torsional rigidity.

The stator coupling is fastened to the hollow shaft rotary encoder using 3 Allen screws M4 and permanently inserted plastic shims on the face end via the tapped flange holes. The drive shaft is secured in position in the hollow shaft using a clamp ring. On the drive side, the height adapter is secured by means of 2 Allen screws M4.

Function

The stator coupling fulfils the following tasks:

- Coupling of the drive shaft and rotary encoder shaft in terms of high torsional strength and torsional rigidity.
- Stator coupling as a spring mass system for highly accurate measuring systems.
- Compensation of radial and axial installation tolerances between the drive shaft and measurement shaft.
- Compensation of the angular offset between the drive shaft and measurement shaft.
- Variation of the axial space dimension between the drive unit and rotary encoder through the use of a height adapter - adaptive height adjustment.

Stator coupling ZMS58

Order number

ZMS 58 - S - H1 - K 01

Mechanical variants *

01 Standard

Height adapter 9 mm

Hx x = Number of height adapters

Flange:

S Synchroniser flange

K Clamped flange

Design form:

58 ø 58 mm

Model series:

ZMS Stator coupling ZMS58

* The basic versions according to the data sheet bear the number 01. Deviations are identified with a variant number and are documented in the factory.

Accessories (scope of delivery)

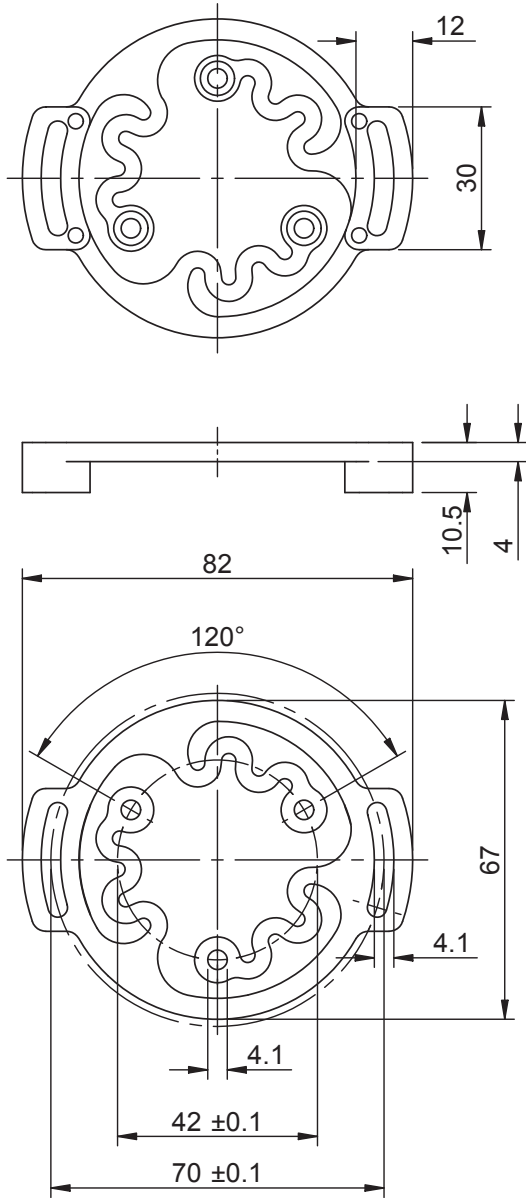
Designation	Quantity	Remark
Allen screws M4x30, DIN 912, A2	2	For height adapter H1
Lock washer S 4.3, A2	2	
Shim DIN 9021-4.3	2	
Allen screws M4x12, DIN 912, A2	3	For fastening on the rotary encoder
Lock washer S4.3; A2	3	
Shim 4.3, PA	3	

Stator coupling **ZMS58**

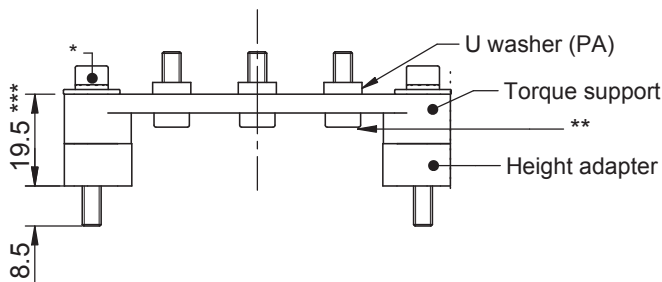
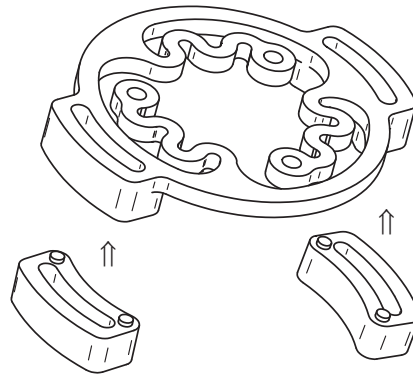
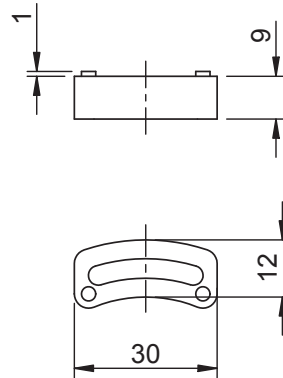
Installation drawing

Dimensions in mm

Torque support **ZMS58-S-H1-K01**



Height adaptation for torque support
(always 2x per torque support)



* 2x bolts DIN 912
M4x30 (VA)
2x lock washers S 4.3; A2 (VA)
2x U washers DIN 9021-4.3

** 3x bolts DIN 912
M4x10 (VA)
3x lock washers S 4.3; A2 (VA)
3x U washers (PA)

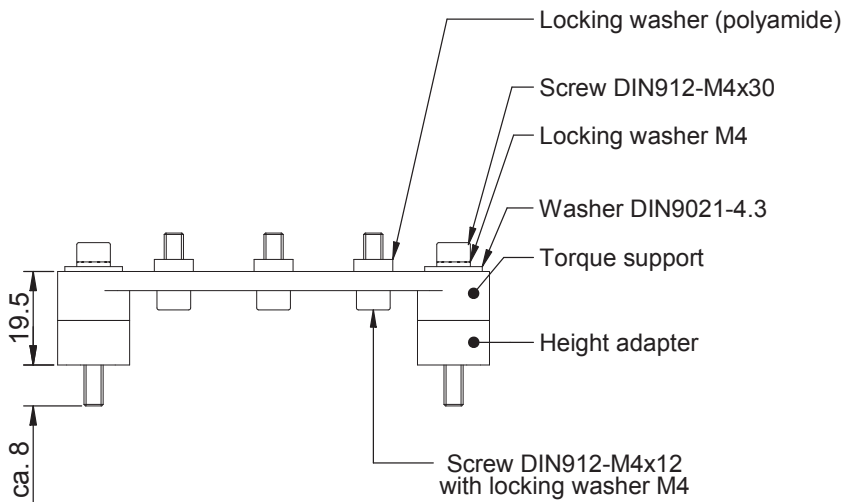
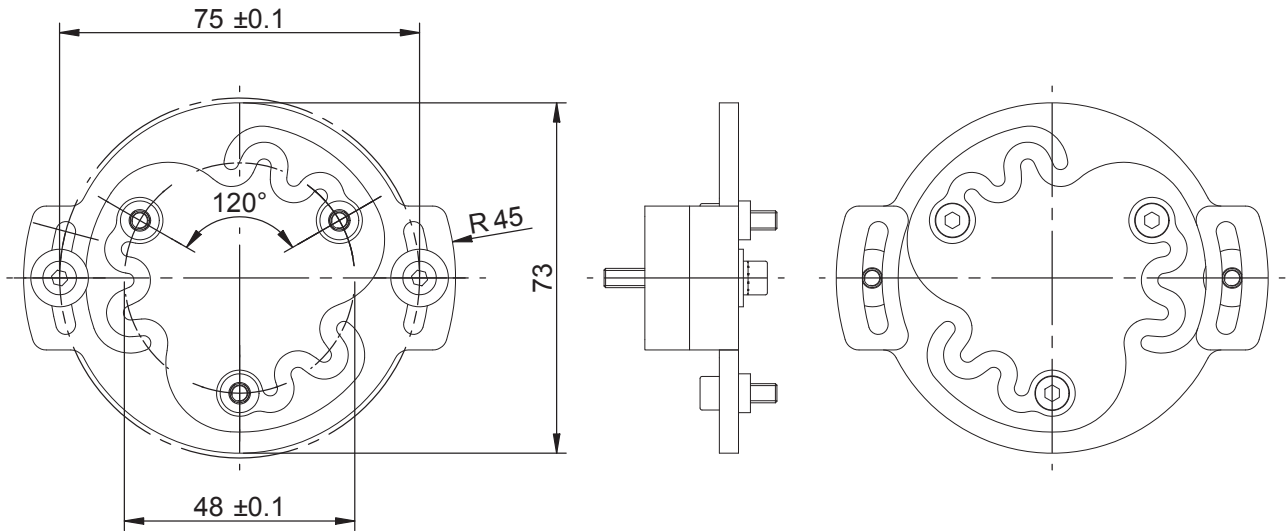
*** Dimension for height adapter H1 = 9 mm

Stator coupling **ZMS58**

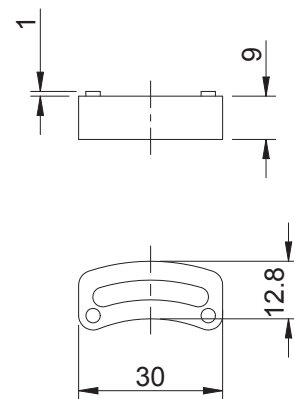
Installation drawing

Dimensions in mm

Torque support ZMS58-K-H1-K01



Height adaptation for torque support
(always 2x per torque support)



Stator coupling **ZMS58**

Example application

Dimensions in mm

