

Mating plug STK4GS60 Type M12-A

Document No.: STK 14572 AE
Date: 11.01.2018



- Mating plug with 4 sockets
- With strain relief and shielding
- For cable with 4 - 6 mm diameter
- Gold-plated contacts
- UL certified

Mechanical data

- Connector Design: cable socket
- Coding: A-coded
- Connector locking system: screw
- Termination: screw
- Wire gauge (mm): 0.75 mm²
- Wire gauge (AWG): 18
- Cable outlet: 4 - 6 mm
- Temperature range: - 40 °C to 85 °C

Electrical Data

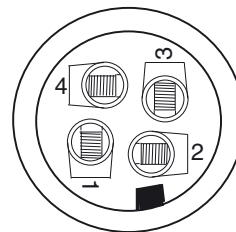
- Related voltage: 250 V
- Rated impulse voltage: 2500 V
- Rated current (40°C): 4 A (3 A UL)
- Pollution degree: 3
- Resistance: ≤ 3 mΩ
- EMV-compliance: shielded
- Protection class: IP67
- Mechanical operation: > 100 cycles

Material

- Material of contacts: CuZn (Brass)
- Contact plating: Au (Gold)
- Material of contact body: PA
- Housing material: Zinc die-cast nickel-plated

Electrical connection

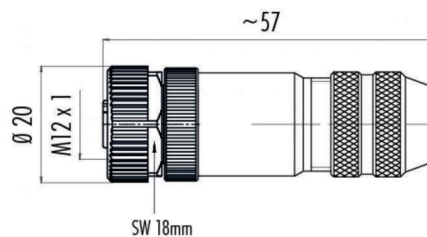
(view to screw contacts)



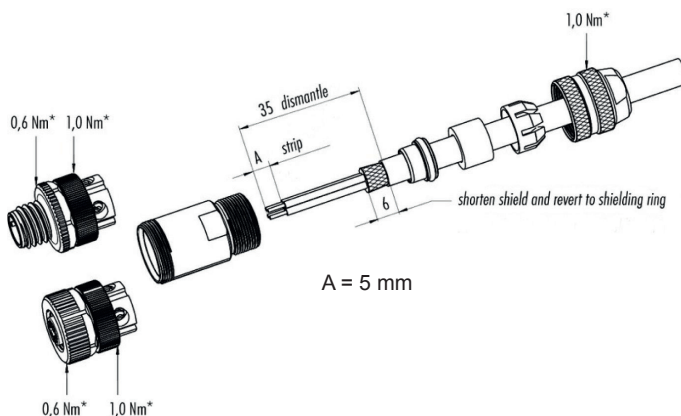
Order code format

- Mating plug (4 sockets): **STK4GS60**

Dimensions in mm



Installation instruction



1. Bead parts.
2. Strip single cores, shorten shielding braid and revert to shielding ring.
3. Thread single wires through housing, mount shielding ring, seal and pinch ring. Turn on pressing screw to fix the cable. Screw on single wires.
4. Screw housing to male or female contact insert and fix pressing screw.

* Recommended tightening moment.