

Mating plug STK4GS104

Type M12-A

Document No.: STK 14571 AE

Date: 11.01.2018



- Mating plug with 4 sockets
- With strain relief and shielding
- For cable with 5.5 - 8.6 mm diameter
- Gold-plated contacts
- UL certified

Mechanical data

■ Connector Design:	cable socket
■ Coding:	A-coded
■ Connector locking system:	screw
■ Termination:	screw
■ Wire gauge (mm):	0.75 mm ²
■ Wire gauge (AWG):	18
■ Cable outlet:	5.5 - 8.6 mm
■ Temperature range:	- 40 °C to 85 °C

Electrical Data

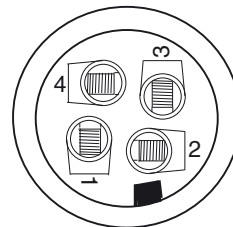
■ Related voltage:	250 V
■ Rated impulse voltage:	2500 V
■ Rated current (40°C):	4 A (3 A UL)
■ Pollution degree:	3
■ Resistance:	≤ 3 mΩ
■ EMV-compliance:	shielded
■ Protection class:	IP67
■ Mechanical operation:	> 100 cycles

Material

■ Material of contacts:	CuZn (Brass)
■ Contact plating:	Au (Gold)
■ Material of contact body:	PA
■ Housing material:	Stainless steel 1.4404

Electrical connection

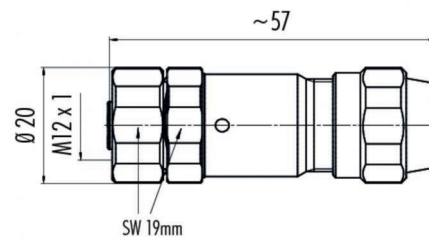
(view to screw contacts)



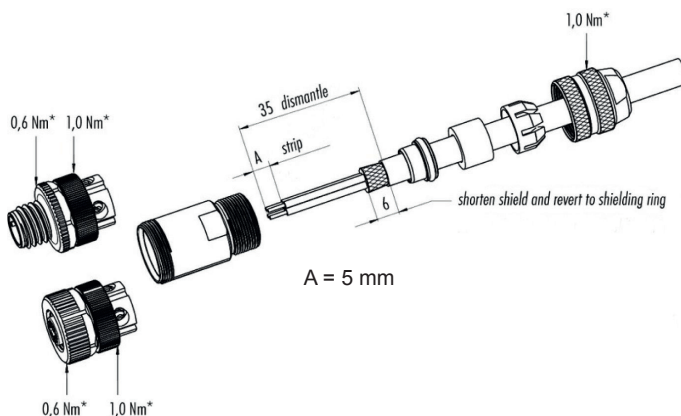
Order code format

- Mating plug (4 sockets): **STK4GS104**

Dimensions in mm



Installation instruction



1. Bead parts.
2. Strip single cores, shorten shielding braid and revert to shielding ring.
3. Thread single wires through housing, mount shielding ring, seal and pinch ring. Turn on pressing screw to fix the cable. Screw on single wires.
4. Screw housing to male or female contact insert and fix pressing screw.

* Recommended tightening moment.