

Mating plug STK4GP110

Type M12-D

Document No.: STK 14569 AE
Date: 11.01.2018



- Mating plug with 4 pins
- With strain relief and shielding
- For cable with 5.5 - 8.6 mm diameter
- Gold-plated contacts
- UL certified

Mechanical data

- Connector Design: plug with pins
- Coding: D-coded
- Connector locking system: screw
- Termination: screw
- Wire gauge (mm): 0.75 mm²
- Wire gauge (AWG): 18
- Cable outlet: 5.5 - 8.6 mm
- Temperature range: - 40 °C to 85 °C

Electrical Data

- Related voltage: 250 V
- Rated impulse voltage: 2500 V
- Rated current (40°C): 4 A
- Pollution degree: 3
- Resistance: ≤ 3 mΩ
- EMV-compliance: shielded
- Protection class: IP67
- Mechanical operation: > 100 cycles

Material

- Material of contacts: CuZn (Brass)
- Contact plating: Au (Gold)
- Material of contact body: PA
- Housing material: Stainless steel 1.4404

Electrical connection

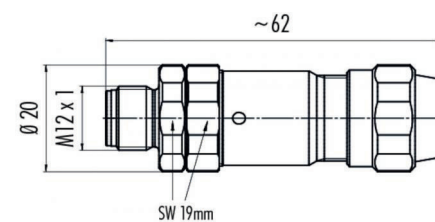
(view to screw contacts)



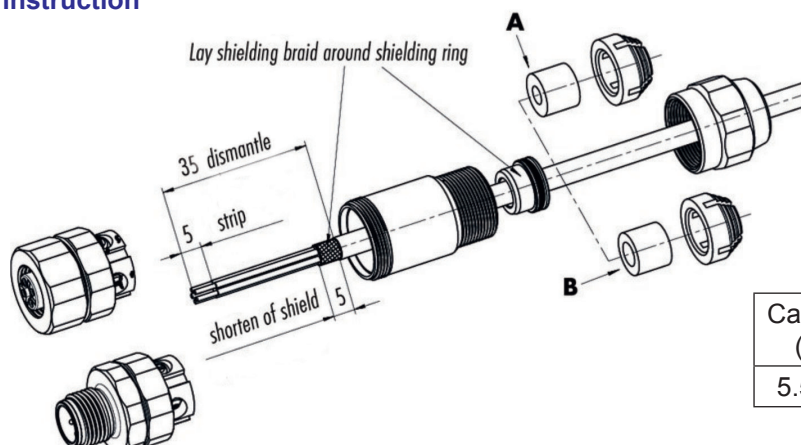
Order code format

- Mating plug (4 pins): **STK4GP110**

Dimensions in mm



Installation instruction



Cable-Ø A (mm)	Cable-Ø B (mm)
5.5 - 7.5	7.5 - 8.6